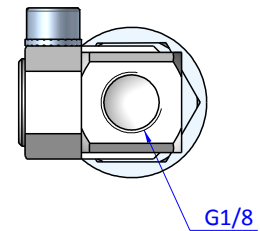
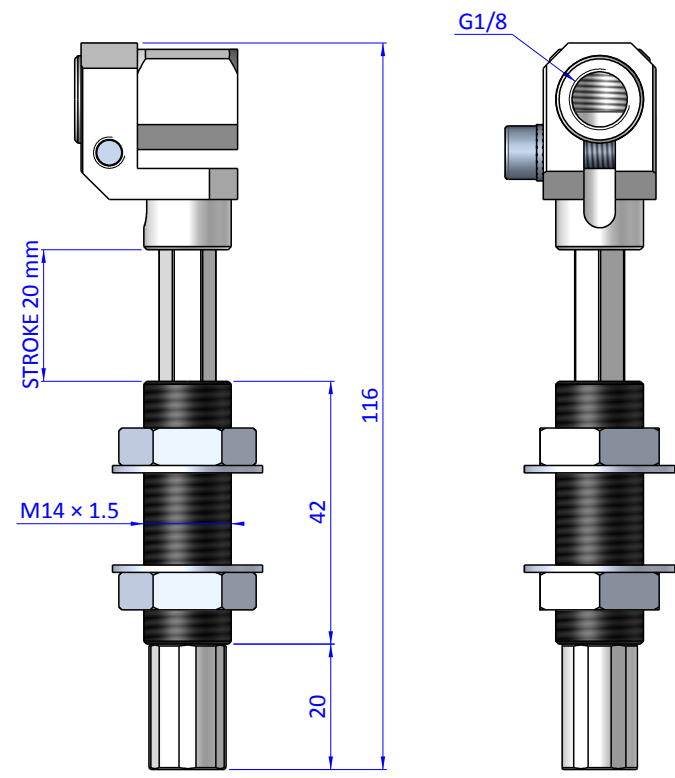
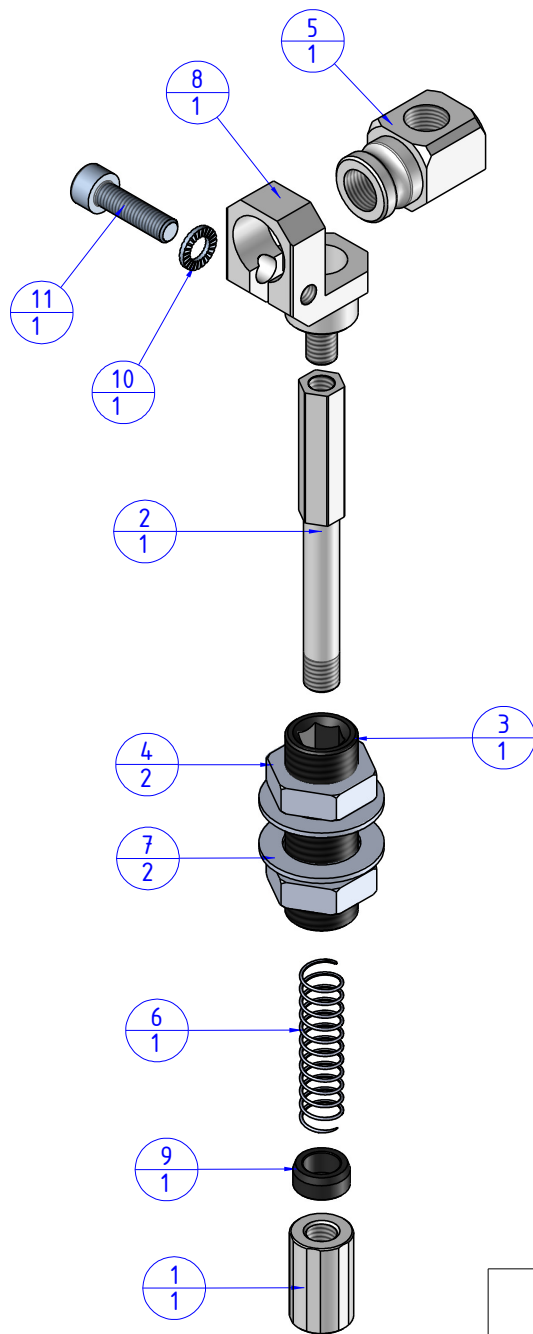


THE PROPERTY OF THE DRAWING IS ESTABLISHED BY LAW. IT IS FORBIDDEN TO PRODUCE OR SHOW IT TO THIRD PARTY, WITHOUT A WRITTEN AGREEMENT.

Object Number	Name	QTY
1	VSN.14.1	1
2	VSN.1420.4	1
3	VSNG.1420.2.1	1
4	05.01.001.06	2
5	GGB.14.18.18	1
6	M.8.45X34	1
7	R.14.SCH	2
8	SSN.14201818.1	1
9	VSN.1420.3	1
10	R.5.SCH	1
11	V.TCE5x18	1



Format A3
UNI 936-76

		DESIGNED FROM	REVIEW
		FP SERVICES	A
GENERAL TOLERANCE	DESCRIPTION	DATE	WEIGHT
UNI - ISO 2768	CA.SSNG.14201818	21/02/2019	0,056kg
CLASSE f		CODE	CA.SSNG.14201818